



MSD-7204UHD

The IDK MSD-7204UHD is a high-performance digital multi switcher with a scan converter and up to 9 inputs and 4 outputs.

For video input, 9 digital and 2 analog inputs are included and the following signals are supported: HDMI, DVI, composite video, Y/C, analog RGB, and analog YPbPr signals. Input video signals are converted to HDMI signals and output at a resolution up to 4K@60.

For audio input, 9 digital and 9 analog inputs are included. Selected audio signals are output to digital audio and analog audio. Audio level of each input can be set individually. The lip sync function corrects the gap between the video and audio.

This switcher also has RS-232C 2 ports and LAN to enable you to set menus remotely. You can also control external devices that are connected to the MSD-7204UHD over RS-232C, LAN, CEC, or contact closure by registering external control commands. The waiting function helps you to send external commands after cooling time passes as power supply control of projectors or the like. External control commands can be executed from front keys, RS-232C, or LAN; they can be executed at operating input channel selection keys or start-up.

■Specification

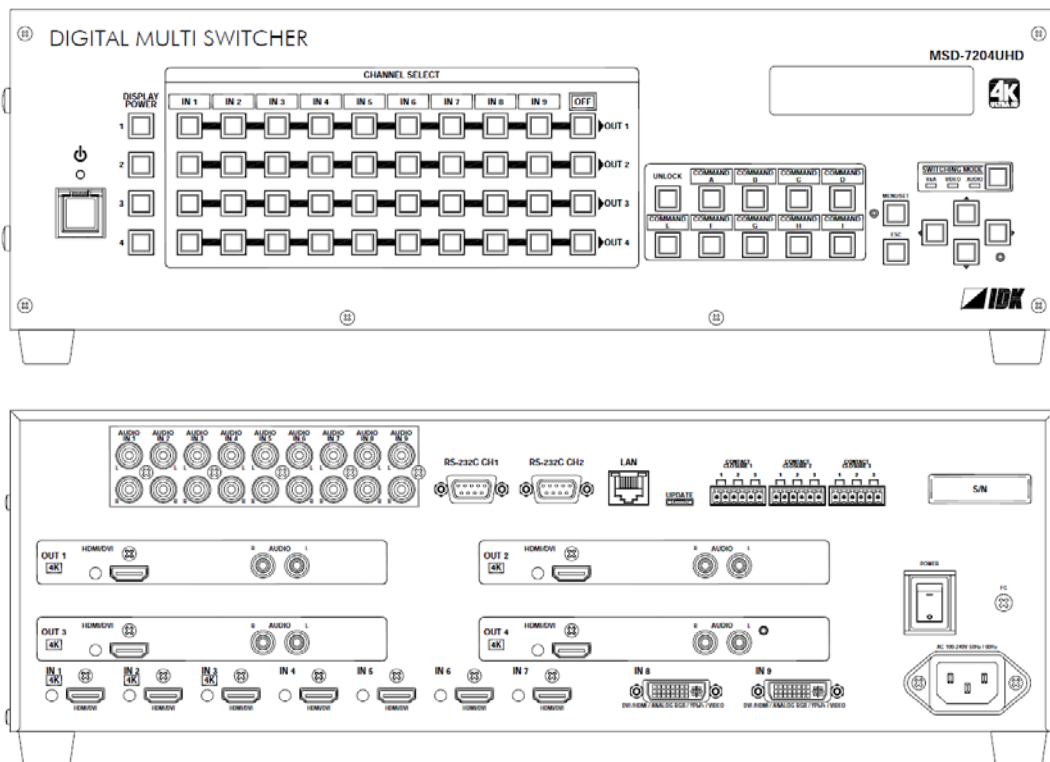
		Item	Description		
Input	Video	HDMI / DVI	Number / Signal	3 inputs / HDMI Deep Color (*1) / DVI 1.0 (HDCP 1.4 / 2.2) - TMDS single link - TMDS clocks: 25 MHz to 300 MHz - TMDS data rate: 0.75 Gbps to 18 Gbps	
			Connector	3 female HDMI Type A	
			Number / Signal	4 inputs / HDMI Deep Color (*1) / DVI 1.0 (HDCP 1.4) - TMDS single link - TMDS clock: 25 MHz to 300 MHz - TMDS data rate: 0.75 Gbps to 9 Gbps	
			Connector	4 female HDMI Type A	
			Number / Signal	2 inputs / HDMI Deep Color (*1) / DVI 1.0 (HDCP 1.4) - TMDS single link, - TMDS clock: 25 MHz to 225 MHz - TMDS data rate: 0.75 Gbps to 6.75 Gbps * Switch-selectable between digital and analog	
			Connector	2 female 29-pin DVI-I	
		Universal Analog	Number / Signal	2 inputs / Composite video, Y/C, Analog RGB/Analog YPbPr (auto-recognition) - Composite video (VBS Signal): 1.0 V[p-p] / 75 Ω - Y/C: 1.0 V[p-p](Y) / 0.286 V[p-p](C) / 75 Ω - Analog RGB: 0.7 V[p-p](1.0 V[p-p] Sync on Green) / 75 Ω HS/VS TTL level, CS TTL level, Sync on Green - Analog YPbPr: 1.0 V[p-p](Y) / 0.7 V[p-p](Pb/Pr) / 75 Ω * Switch-selectable between digital and analog	
			Connector	2 female 29-pin DVI-I,	
			Others	EDID emulation	
			Format	HDMI / DVI (IN1 to IN3)	Dot clock 25 MHz to 600 MHz 480i / 480p / 576i / 576p / 720p / 1080i / 1080p / 4K (up to 4K@60 4:4:4)
				HDMI / DVI (IN4 to IN7)	Dot clock 25 MHz to 300 MHz 480i / 480p / 576i / 576p / 720p / 1080i / 1080p / 4K (up to 4K@30)
				HDMI / DVI (IN8 to IN9)	Dot clock 25 MHz to 165 MHz 480i / 480p / 576i / 576p / 720p / 1080i / 1080p VGA to QWXGA * WUXGA / QWXGA are only supported Reduced Blanking
	Universal Analog (IN8 to IN9)	Dot clock 25 MHz to 165 MHz NTSC/PAL 480i / 480p / 576i / 576p / 720p / 1080i / 1080p VGA to QWXGA * WUXGA / QWXGA are only supported Reduced Blanking			
	Audio	Digital	Number / Signal	9 inputs / Multi-channel linear PCM up to 8 channels - Sampling frequency: 32 kHz to 192 kHz - Sample size: 16 bit to 24 bit - Reference level: -20 dBFS - Max. input level: 0 dBFS * Switch-selectable between digital and analog audio	
			Connector	7 female HDMI Type A, 2 female DVI-I (29-pin)	
		Analog	Number / Signal	9 inputs / Stereo LR unbalanced signal Input impedance: 24kΩ Reference level: -10 dBu Max. output level: +10 dBu * Switch-selectable between digital and analog audio	
			Connector	9 RCA pin jack	
	Output	Video	HDMI / DVI	Number / Signal	4 outputs / HDMI Deep Color (*1) / DVI 1.0 (HDCP 1.4 / 2.2) - TMDS single link - TMDS clocks: 25 MHz to 300 MHz
Connector				4 female HDMI Type A	
Format			Dot clocks: 25 MHz to 600 MHz 480i / 480p / 576i / 576p / 720p / 1080i / 1080p / 4K (3840 x 2160) / 4K (4096 x 2160) VGA / SVGA / XGA / WXGA (1280x768) / WXGA (1280x800) / Quad-VGA / SXGA / WXGA (1360x768) / WXGA (1366x768) / SXGA+ / WXGA+ / WXGA++ / UXGA / WSXGA+ / VESAHD / WUXGA / QWXGA / WQHD / WQXGA * VESAHD / WUXGA / QWXGA / WQHD / WQXGA are only output as Reduced Blanking		
			Audio	Digital	Number / Signal
Connector		4 female HDMI Type A,			
Analog		4 outputs / Stereo LR unbalanced signal Output impedance: 50 Ω Reference level: -10 dBu Max. output level: +10 dBu			

● All specifications and drawings are subject to change without notice. ● Please do not use the supplied AC adapter and power supply cable for other products. ● The terms HDMI and HDMI High-Definition Multimedia Interface, and the HDMI Logo are trademarks or registered trademarks of HDMI Licensing, LLC in the United States and other countries. ● PJLink is a trademark in Japan, the United States, and other countries/regions. ● HDBaseT™ and the HDBaseT Alliance Logo are trademarks of the HDBaseT Alliance. ● The terms Anti-snow and Connection Reset are registered trademarks of IDK Corporation in Japan ● All other company and product names mentioned in this document are either registered trademarks or trademarks of their respective owners. In this document, the “®” or “™” marks may not be specified

		Connector	4 RCA pin jack
Maximum cable distance		Digital Input	1080p@60: up to 99 ft. approx. / 30 m, 4K@60: up to 39.37 ft. approx. / 12 m (*2)
		Digital output	1080p@60: up to 99 ft. approx. / 30 m, 4K@60: up to 39.37 ft. approx. / 12 m (*2)
Functions	Analog video processing unit		3D Y/C separation
	Scan Converter		Aspect Ratio Control, Seamless Switching (*3), Picture adjustment (brightness, contrast, display position, display size), I/P conversion
	External control		RS-232C, LAN, contact closure, CEC (controls power of display) (*6), PJLink (class1)
	Others		All function setting through browser Auto input detection and switching Volume adjustment (volume of input and output ports can be set separately) Lip Sync (Max. 16 frames) Audio breakaway enables independent audio and video switching Cross-point memory (storage for 9 settings) Preset memory (8 settings and startup settings) Last memory Anti-Snow (*4) Connection Reset (*5) External control commands (32 commands) Operation lock
External control	Serial control port	Number / Signal	2 ports / RS-232C
		Connector	2 male 9-pin D-Sub
	LAN control port	Number / Signal	1 port / 10Base-T (Auto Negotiation), 100Base-TX (Auto Negotiation), Auto MDI/MDI-X
		Connector	1 RJ-45
Contact closure port	Number / Signal	9 ports / Non-voltage contact input up to 24 VDC 500 mA	
	Connector	3 terminal blocks 6-pin	
Others	Power		100 - 240 VAC \pm 10 %, 50 Hz / 60 Hz \pm 3 Hz
	Power consumption		About 126 Watts
	Dimensions		16.93(W) \times 5.20(H) \times 13.78(D)"/430(W) \times 132 (H) \times 350(D) mm (EIA 3U, not including projections)
	Weight		17.64 lbs. / 8.0 kg
	Temperature		Operating: 32°F to 104°F/0°C to +40°C Storage: -4°F to +176°F/-20°C to +80°C
	Humidity		Operating/Storage: 20% to 90%(Non Condensing)

- *1 30 bit/pixel (10 bit/component) Deep Color is supported while xvYCC, Lip Sync, 3D, ARC and HEC are not supported. 4K@60 Deep Color: 24 bit / pixel (8 bit / component) is supported.
- *2 The maximum cable distance is measured under following conditions:
 • 1080p@60: when IDK's AWG24 cable was used and signals of 1080p@60 24 bit / pixel (8 bit / component) was input or output.
 • 4K@60 : when IDK's 18 Gbps supported cable was used and signals of 4K@60 24 bit / pixel (8 bit / component) was input or output.
 The maximum cable distance depends on the connected I/O devices. With some I/O combinations, and if you use cables of other manufacturer, video may be disturbed or may not be output even if signals are within the range mentioned above.
- *3 Seamless switching with a black frame.
- *4 The anti-snow feature automatically fixes snow noise that is a specific symptom of HDCP-compliant signals and mainly occurs at start-up. This feature does not work when snow noise has already occurred during startup or when it occurs due to a bad condition of the transmission line.
- *5 For digital systems, some problems, such as an HDCP authentication error, can often be recovered by physically disconnecting and reconnecting the digital cables. However, the Connection Reset feature will fix these problems automatically without the need to physically plug and unplug the cables. It creates the same condition as if the cable were physically disconnected and reconnected. This feature only works for the MSD's output. If other devices are connected between the MSD's output and sink device, this feature may be invalid.
- *6 The sink device must support CEC. Some sink devices cannot be controlled from the MSD using CEC

■ Front & Rear Panel

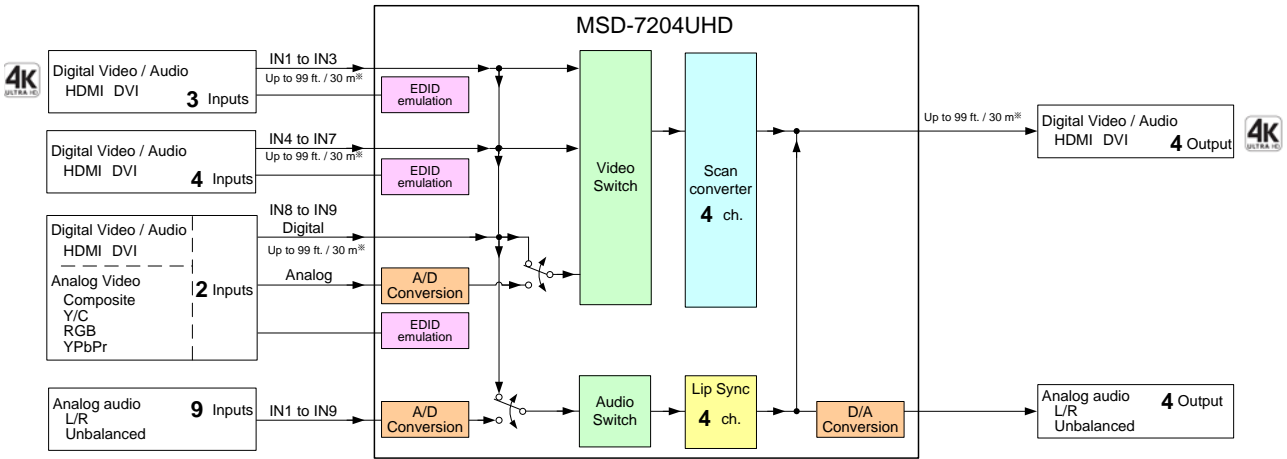


- All specifications and drawings are subject to change without notice. ● Please do not use the supplied AC adapter and power supply cable for other products. ● The terms HDMI and HDMI High-Definition Multimedia Interface, and the HDMI Logo are trademarks or registered trademarks of HDMI Licensing, LLC in the United States and other countries. ● PJLink is a trademark in Japan, the United States, and other countries/regions. ● HDBaseT™ and the HDBaseT Alliance Logo are trademarks of the HDBaseT Alliance. ● The terms Anti-snow and Connection Reset are registered trademarks of IDK Corporation in Japan. ● All other company and product names mentioned in this document are either registered trademarks or trademarks of their respective owners. In this document, the “®” or “™” marks may not be specified



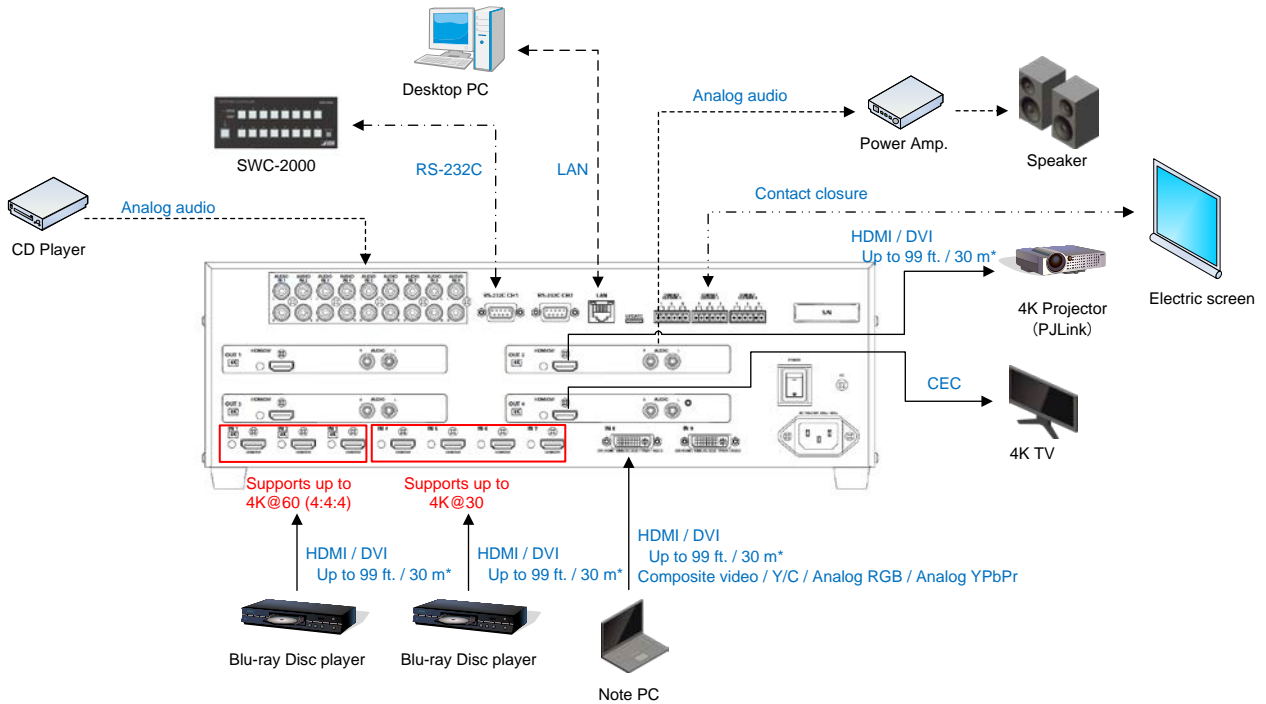
MSD-7204UHD Diagram and Features

■ Diagram



※ Maximum cable distance
 1080p@60: up to 99 ft. approx. / 30 m, 4K@60: up to 39.37 ft. approx. / 12 m (when IDK's 18 Gbps supported cable was used)

■ Sample connection diagram



※ Maximum cable distance
 1080p@60: up to 99 ft. approx. / 30 m, 4K@60: up to 39.37 ft. approx. / 12 m (when IDK's 18 Gbps supported cable was used) only IN1-IN3

● All specifications and drawings are subject to change without notice. ● Please do not use the supplied AC adapter and power supply cable for other products. ● The terms HDMI and HDMI High-Definition Multimedia Interface, and the HDMI Logo are trademarks or registered trademarks of HDMI Licensing, LLC in the United States and other countries. ● PjLink is a trademark in Japan, the United States, and other countries/regions. ● HDBaseT™ and the HDBaseT Alliance Logo are trademarks of the HDBaseT Alliance. ● The terms Anti-snow and Connection Reset are registered trademarks of IDK Corporation in Japan ● All other company and product names mentioned in this document are either registered trademarks or trademarks of their respective owners. In this document, the “®” or “™” marks may not be specified

[Features]**■ Video**

- Up to 4K@60 (4:4:4)
- HDCP 1.4/2.2
- Scan converter
- Aspect ratio control
- Seamless switching^{*1}
- A/D conversion
- Anti-snow

■ Audio

- A/D, D/A conversion
- Volume adjustment
- Lip sync

■ Control

- Input: RS-232C, LAN
- Output: RS-232C, LAN, contact closure, CEC, PJLink

■ Others

- EDID emulation
- All functions setting through browser
- Auto input detection and switching
- Audio breakaway enables independent audio and video switching
- Cross point memory
- Preset memory
- Last memory
- Connection reset
- Operation lock

* 1. Seamless switching with a black frame