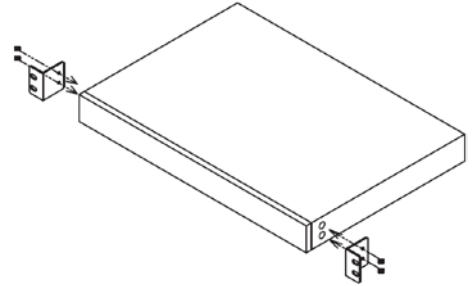

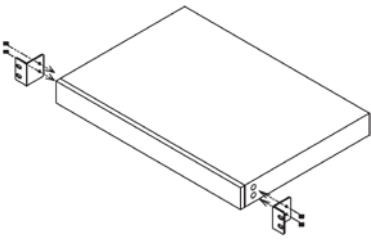

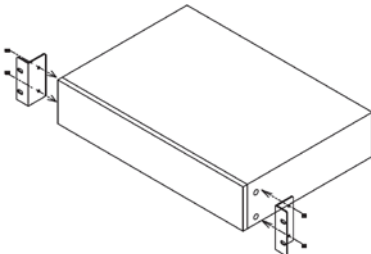
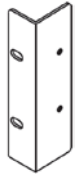
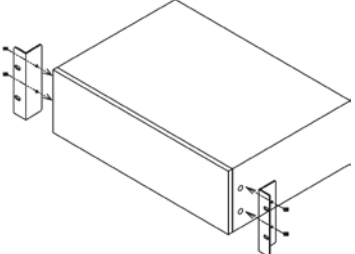


EIA Rack Mounting Brackets

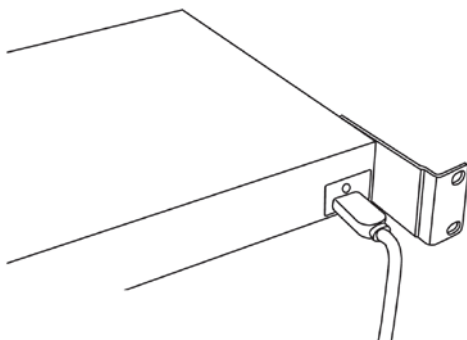
>> 1U, 2U, and 3U size

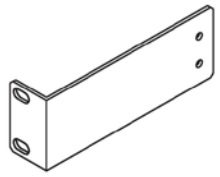
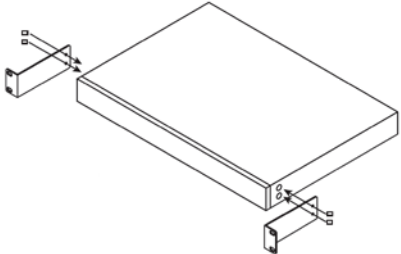
1U, 2U, and 3U rack width products can be mounted to the rack using the included rack mounting brackets.



Rack size	1U	2U	3U
Part number	RM-E100 (Included part)	RM-E200 (Included part)	RM-E300 (Included part)
Shape	 	 	 

For MSD-501/502/701/702, another brackets are available as an optional extra. Since these products have a connector on the front panel, stress may be put on the cable with the cable connected when the rack door is kept closed. It can be avoided using the bracket below.

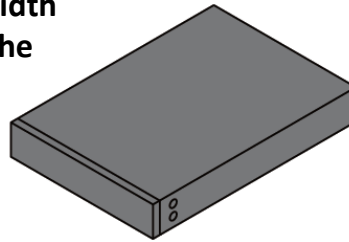


Rack size	1U
Part number	RM-OFS100 (Optional extra)
Shape	 

>> Harf-rack size*

* Harf 1U: 1U high, one-harf width

If you want to mount a 1U half-rack width product to the rack, please purchase the bracket kit below.



Half-rack unit

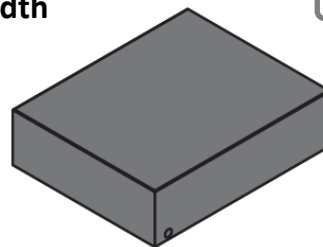


Rack size	Harf-rack size	
Part number	RM-44S (Optional extra)	RM-44D (Optional extra)
The number of units	1	2
Shape	<p>RM-44S</p>	<p>RM-44D</p>

>> Quarter-rack size*

* Quarter 1U: 1U high, one-quarter width

If you want to mount a 1U quarter-rack width products to the rack, please purchase the bracket kit below.



Quarter-rack unit

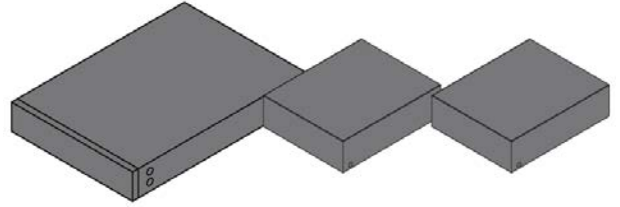


Rack size	Quarter-rack size			
Part number	RM-42HQ (Optional extra) RM-42BP (Optional extra) × 3	RM-42HQ (Optional extra) RM-42BP (Optional extra) × 2	RM-42HQ (Optional extra) RM-42BP (Optional extra) × 1	RM-42HQ (Optional extra)
The number of units	1	2	3	4
Shape	<p>RM-42HQ</p>	<p>RM-42HQ</p>	<p>RM-42HQ</p>	<p>RM-42HQ</p>

>> Combination of 1U half-rack width and quarter-rack width

If you want to mix 1U half-rack width and quarter-rack width products in a rack, please purchase the bracket kit below.

Half-rack unit and Quarter-rack units



Rack size	1 Half-rack size + 1 Quarter-rack size	1 Half-rack size + 2 Quarter-rack size
Part number	RM-4442 (Optional extra) RM-42BP (Optional extra)	RM-4442 (Optional extra)
The number of units	2 (1 Half-rack unit + 1 Quarter-rack unit)	3 (1 Half-rack unit + 2 Quarter-rack units)
Shape		

>> Part numbers of optional parts

Optional parts for MSD-501/502/701/702

RM-OFS100	For MSD-501/502/701/702
-----------	-------------------------

Half-rack size

RM-44S	For 1 half-rack size unit
--------	---------------------------

RM-44D	For 2 half-rack size units
--------	----------------------------

Quarter-rack size

RM-42HQ	For 4 quarter-rack size units
---------	-------------------------------

RM-42BP	Quarter-rack size blank panel
---------	-------------------------------

Combination of half-rack size and quarter-rack size

RM-4442	Combination of half-rack width and quarter-rack width
---------	---