

geratech[®]

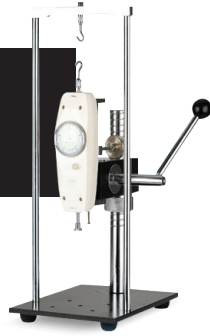
SPJ Serisi

Manual Push / Pull Test Stand



SPJ Serisi

Manual Push / Pull Test Stand

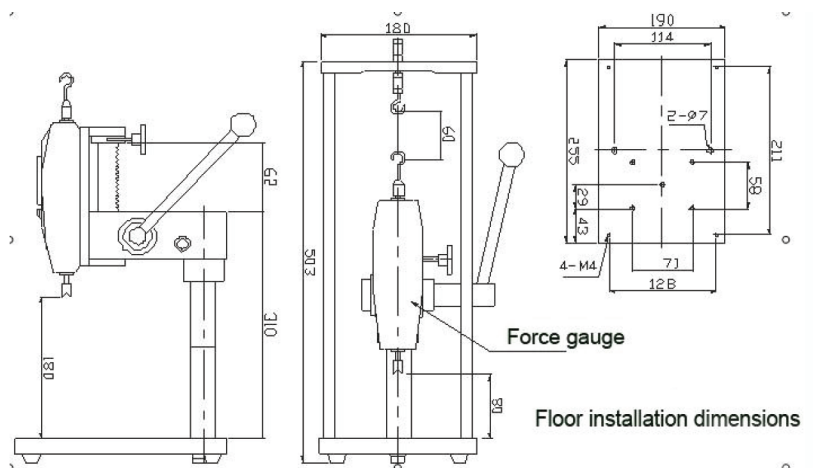


Function

SPJ test stand is specially design for the analog series force gauge to make up of different test equipment doing the push pull force insertion force and destructive experiment.



Structure Sketch



Character

- Hand press, operate simply and firmly.
- Compact structure, gear and rack transmission.
- Fix firmly, big feet and heavy frame, can install on the floor (tabletop) to use, causes operate more firmly.
- Matching digital staff gauge, collection stroke data at any moment.

Parameter

- Capacity: 500N
- Stroke: 90 mm
- Dimension: 255x240x550
- Weight: 12 kg

geratech®



www.geratech.com.tr
www.egerate.com
www.egerate-store.com