

Film Grips FC-20, FC-21, FC-40, FC-100
One side urethane Film Grips FC-21U, FC-21-UQ, FC-41U

For thin film test



Features

- They are suitable for checking thin materials.
- FC-21 is light and suitable for small force measurement.
- Urethane grip is suitable for thin film such as 10 - 25 micron for the reason of preventing slipping.
- Urethane grip reduces the risk of cutting a sample by grip itself.

Applications

- The film grips are installed on the force gauge for tension test of various test pieces.
- General rules of plastic films for food packaging JIS Z1707 (1997)
- Testing methods for heat sealed flexible packages JIS Z0238 (1998)
- Polyethylene film bags JIS Z1711 (1994)
- Oriented polypropylene films for packaging JIS Z1712 (1997)

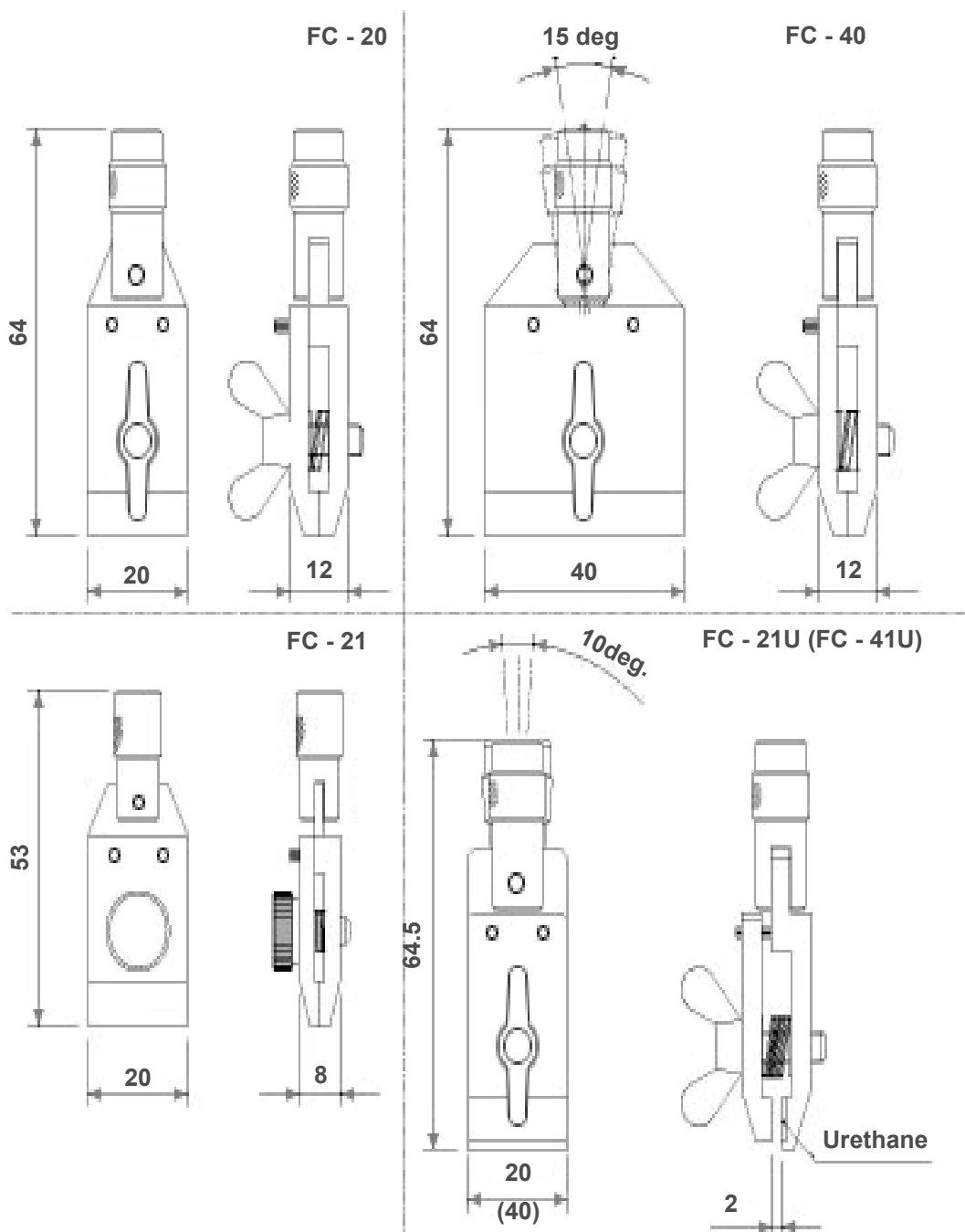
**Note**

- Design, appearance and specifications may be changed for modification or improvement without any prior notice.
- Specific material and appearance may not be used. Please contact us for detail.

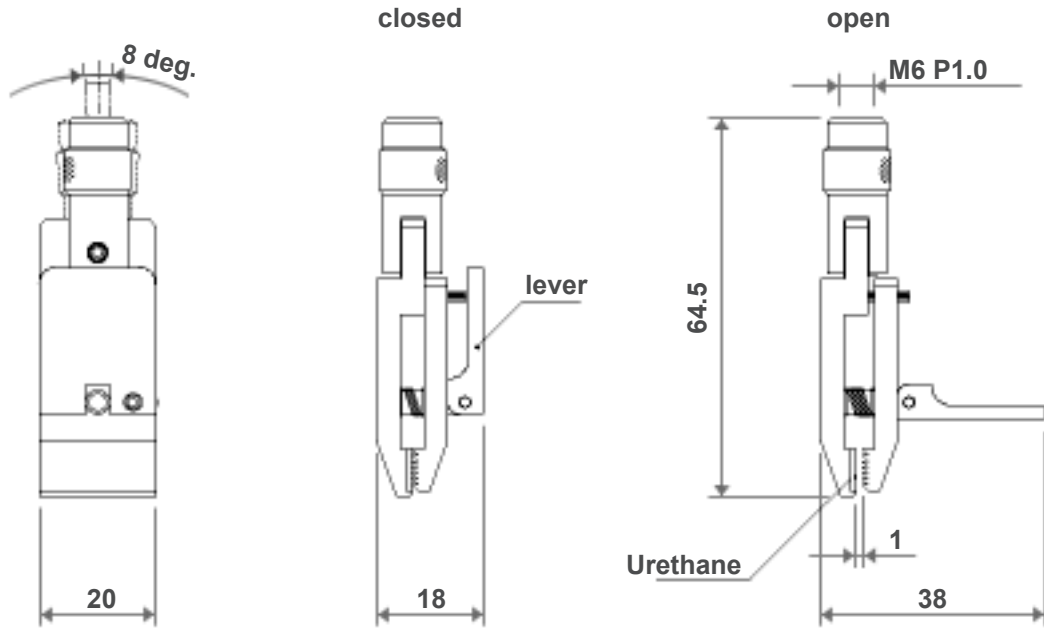
Specifications

Model	FC-21	FC-20	FC-40	FC-100	FC-21U	FC-41U	FC-21UQ
Feature	light weight	standard	wide	very wide	one side urethane		
Capacity	250 N (25 kgf)	500 N (50 kgf)			250 N (25 kgf)		
Weight	25 g	73 g	125 g	228 g	40 g	70 g	50 g
Jaw face width	20 mm		40 mm	100 mm	20 mm	40 mm	20 mm
Opening width	2 mm						1 mm
With Force gauge	PS/FB/DS2/ZTS/ZTA series						

Dimensional drawings



FC - 21UQ



FC - 100

