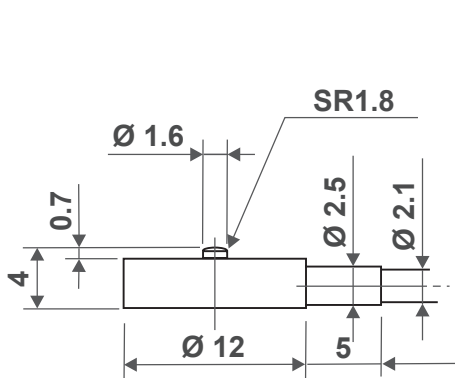
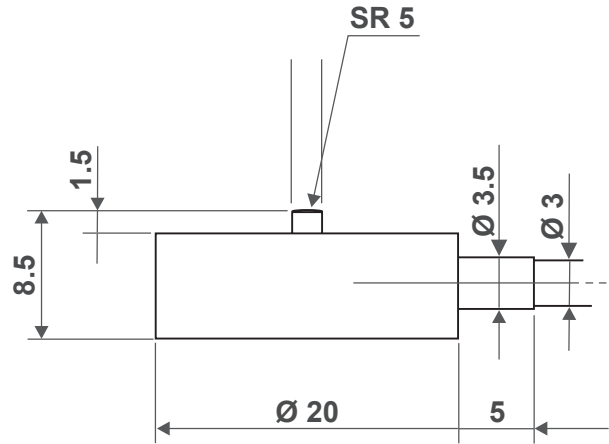


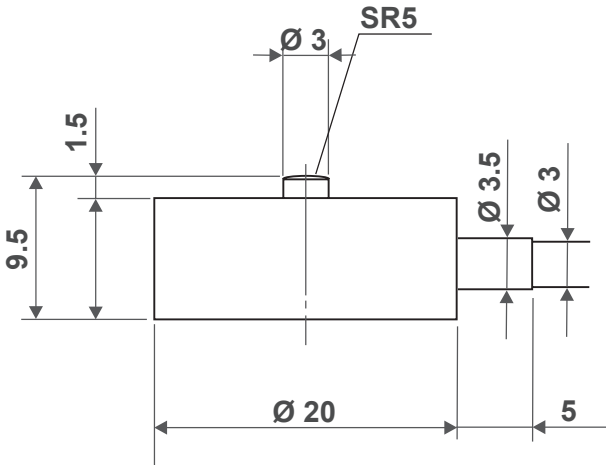
Load Cell Model LM



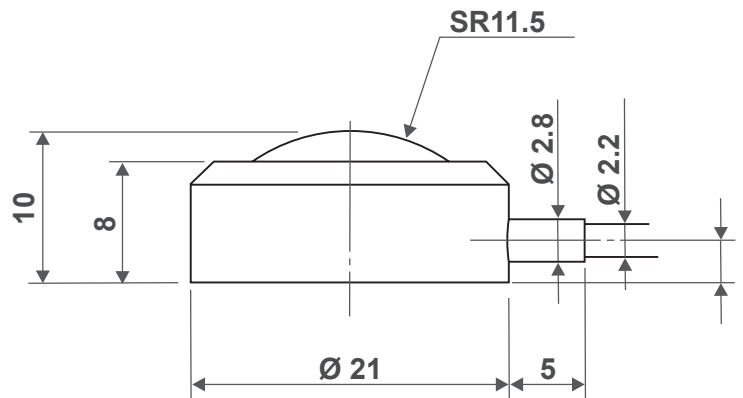
LM: 5N - 50 N



LM: 100N - 1000 N



LM-2000N



LM: 5000N - 20kN

Model	Measuring Range	Dimensions Ø x H	Accuracy	Measuring Shaft	
LM-5N	5 N	12 x 4 mm	±1 % Full Scale	without	
LM-10N	10 N				
LM-20N	20 N				
LM-50N	50 N				
LM-100N	100 N	20 x 8.5 mm			
LM-200N	200 N				
LM-500N	500 N				
LM-1000N	1000 N				
LM-2000N	2000 N	20 x 9.5 mm			±1.5 % Full Scale
LM-5000N	5000 N	21 x 10 mm			
LM-10kN	10 kN				
LM-20kN	20 kN		±2.5 % Full Scale		