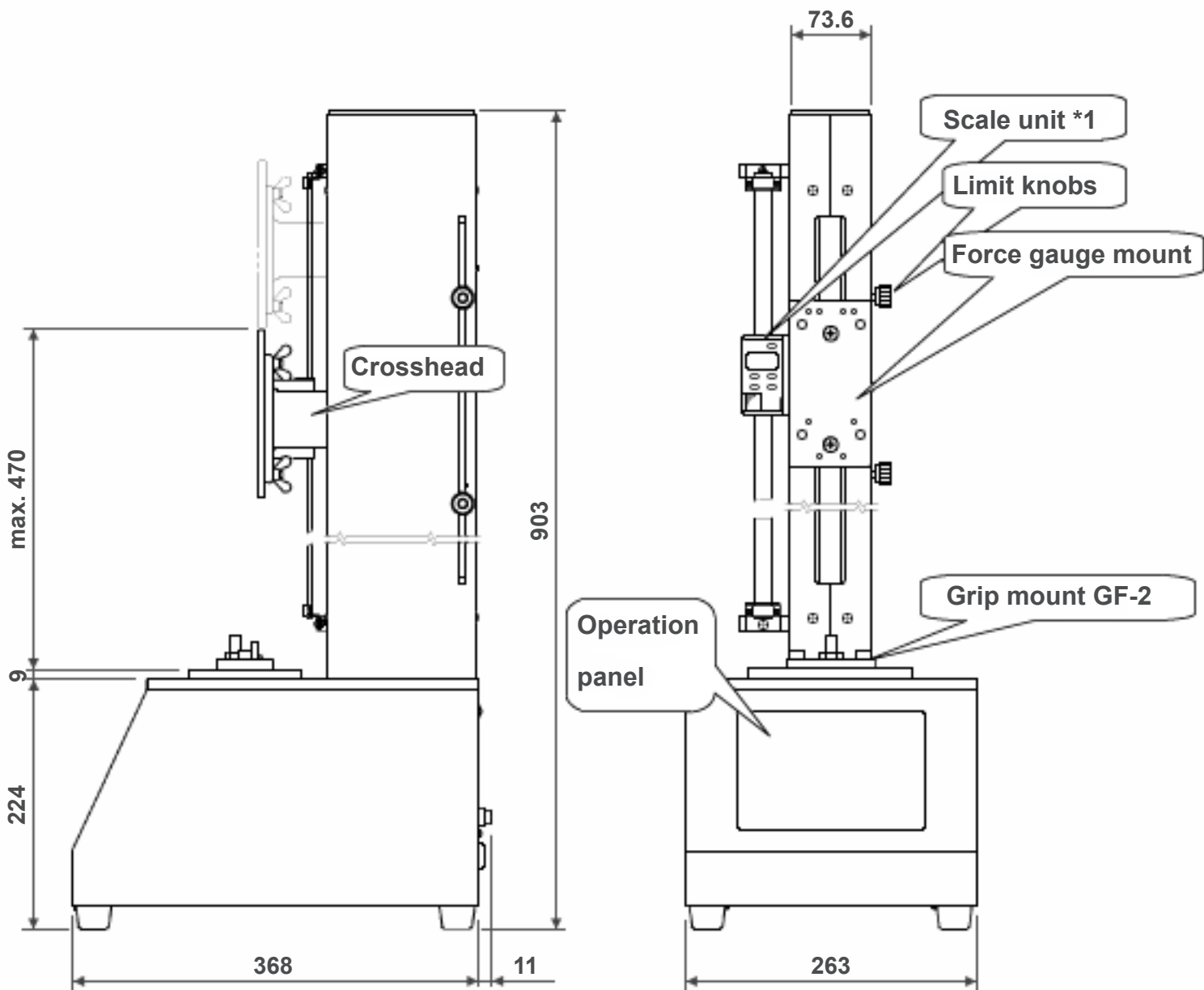
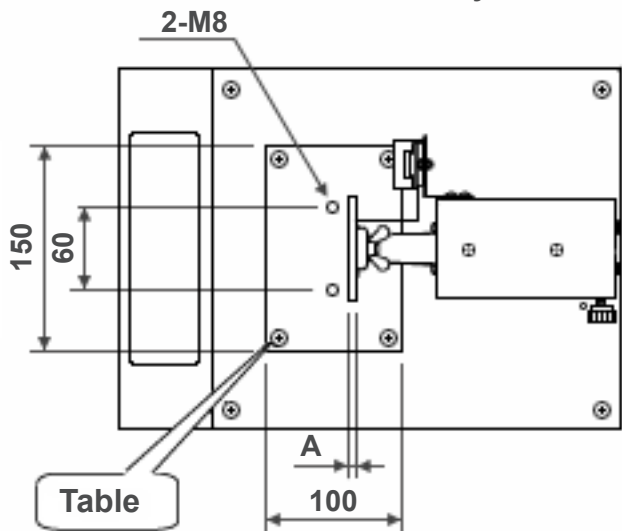


Test Stand Model MX-1000N

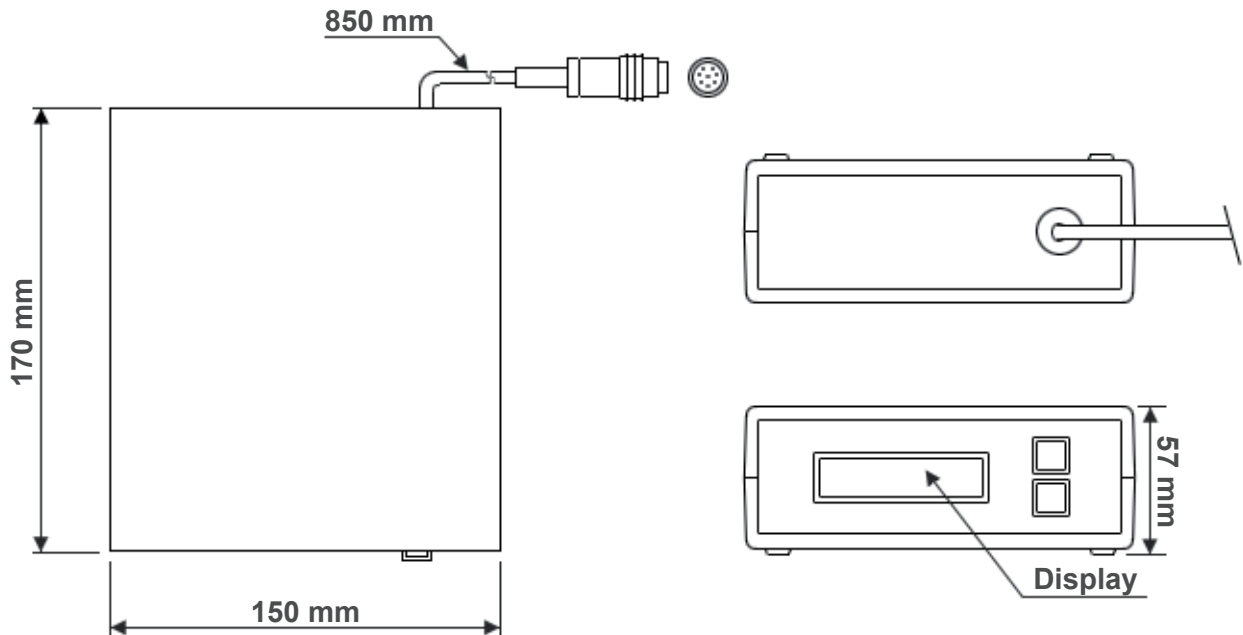


*1 Only for MX/MV-1000N-S



Dimension A	
MX-1000N	12
MX-1000N-S	10.8

Distance and Speed Measuring System Code E



Timer and Counter Unit Code TM

