

Fine Point Grips / SC series

Ideal for measuring of small diameter
test pieces in a small area



Features

- The fine point grips are suitable for gripping the test piece like small diameter wires, pins, etc.
- They are light grips suitable for measuring minute force.
- They can be used in a small area.

Application

- The fine point grip series SC is installed on the force gauge as an attachment for tensile test of various test pieces



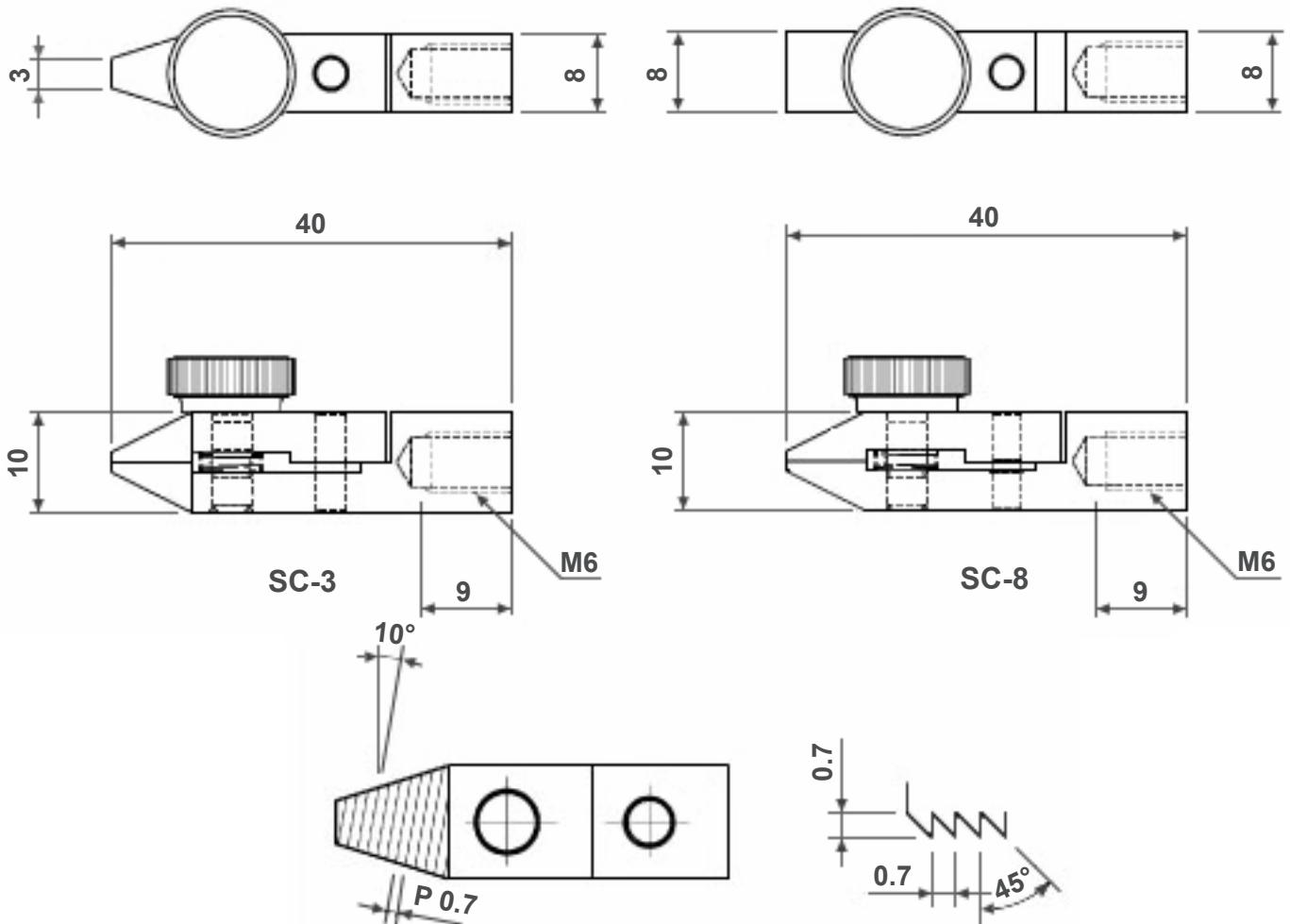
Note

- The fine point grips can not grip particular material or shape.
- Combining with a test stand, more stable measuring becomes possible.
- All information is subject to change without prior notice.

Specifications

	SC-3	SC-8
Jaw face width	3 mm	8 mm
Opening range	max. 1 mm	
Capacity	100 N (10 kgf)	150 N (15 kgf)
Mounting screw	M6	
Dimensions (LxWxH)	40 x 8 x 10 mm	
Weight	20 g	21 g
Recommended force gauge	PS/FB/DS2/ZTS/ZTA series up to 500 N	

Dimensional drawing



Serration detail