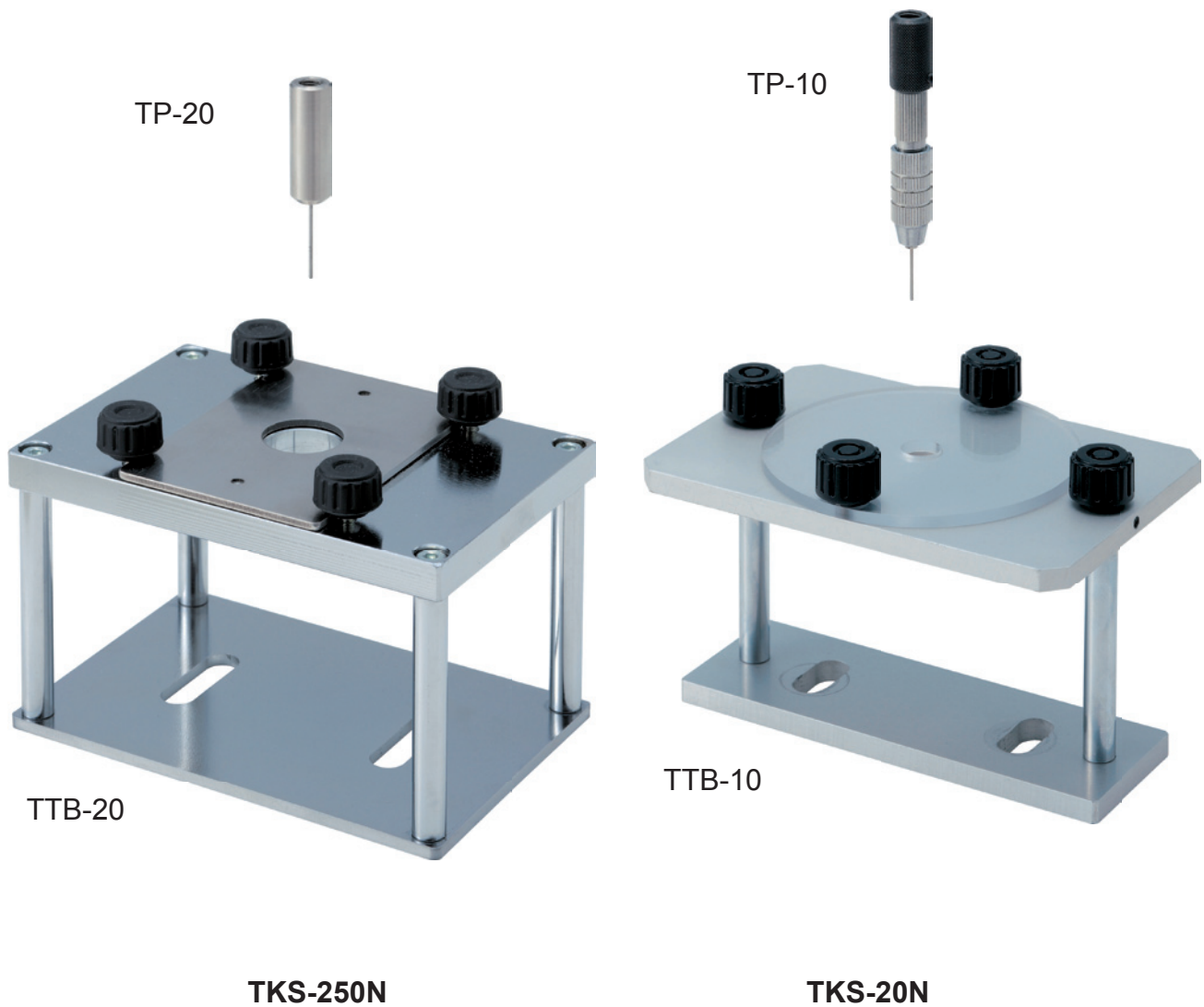
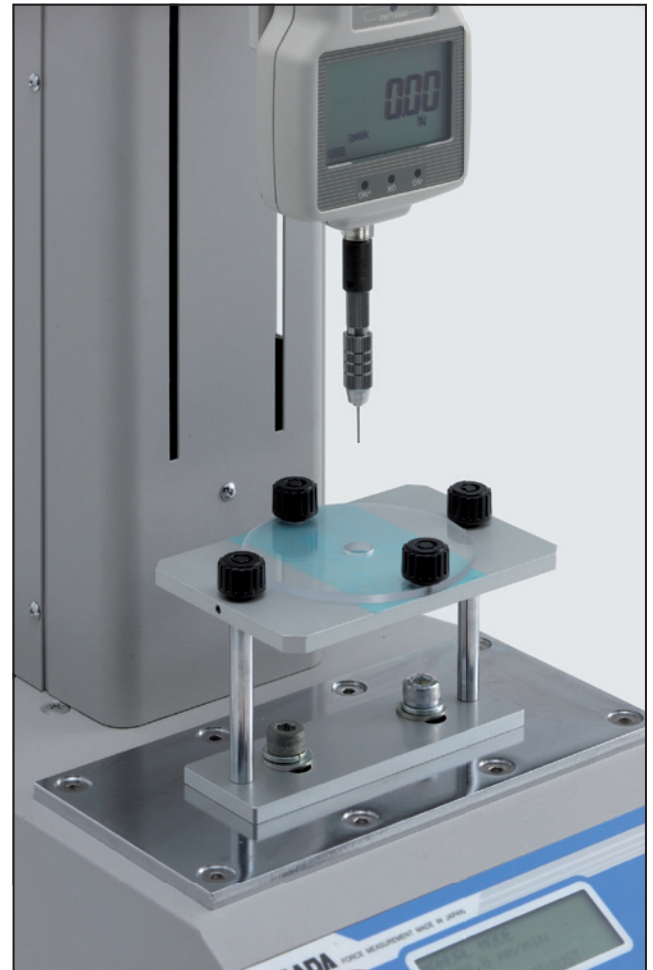


Fixture for film sticking test TKS (Pin & Table)



Applications

- **TKS-250N:** Ideal for sticking strength test of liquid crystal films, thin aluminium, PET bottles, etc.
- **TKS-20N:** Ideal for sticking strength test of thin materials, such as retort pouch
- In combination with a force gauge ZT series, a test stand MX2 series and cable CB-518 measurements according JIS Z1707 are possible.



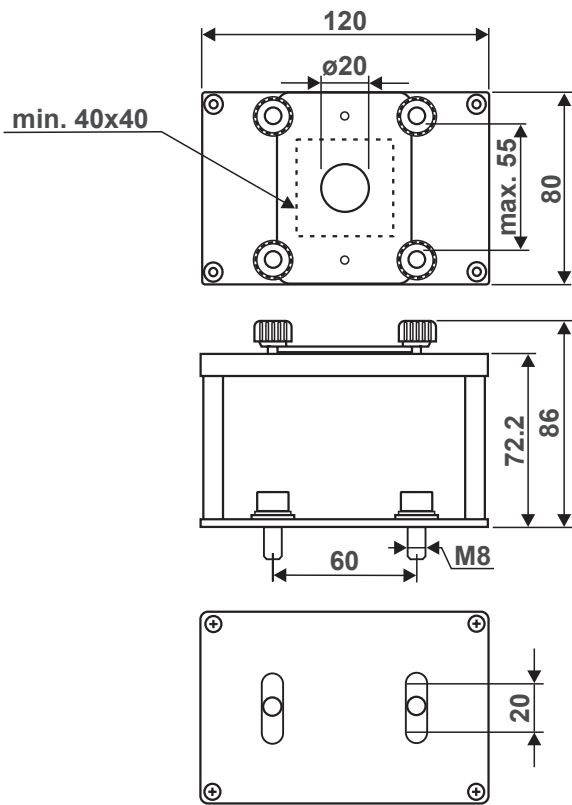
Note

- The contents may be changed without previous notice.
- All products are designed for measurement purpose only.
- Force gauges and test stands are not included but necessary to carry out test.
- Some samples can not be measured depending on their materials or shapes

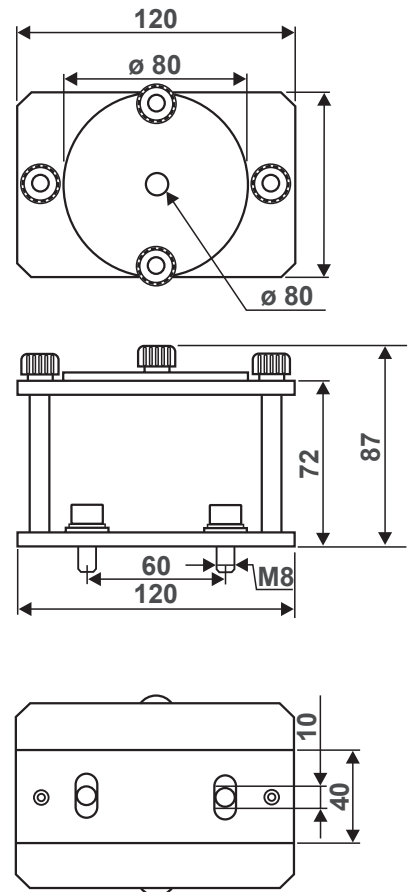
Specifications

Model	TTB-20 (Table for TKS-250N)	TTB-10 (Table for TKS-20N)
Capacity	250 N (25 kgf)	20 N (2 kgf)
Diameter of the hole	Ø 20 mm	Ø 10 mm
Weight	approx. 1050 g	approx. 500 g

Dimensional drawing



TTB-20

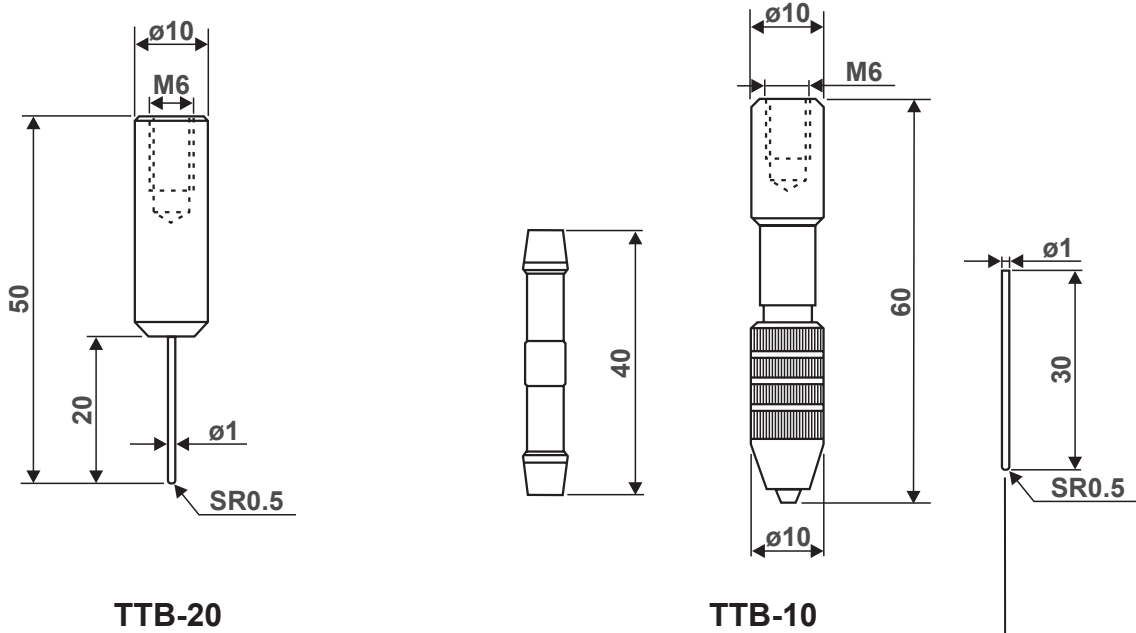


TTB-10

Pins

	Model	TB-20 (Pin for TKS-250N)	TB-10* (Table for TKS-20N)
Pin	Capacity	250 N (25 kgf)	20 N (2 kgf)
	Diameter	Ø 1 mm	Ø 1 mm
	Length	20 mm	30 mm
	Point	SR0.5	SR0.5
	Material	Steel	Stainless
	Weight	Approx. 16 g	Approx. 0.2 g
Pin vice	Available in diameter to grip	-	Ø 0 - 3.2 mm
	Weight	-	approx. 22 g

* delivery includes two spare pins STP-001



Model	Explanation
STP-001	Set with 3 pieces