



HDMI 2.0 optical fiber detachable extender, HDFX-300

HDMI 2.0 optical fiber detachable extender, HDFX-300, extends HDMI 2.0 signal up to 100m (328feet) and transmits 4K UHD (4096x2160) at 60Hz over one duplex LC multi-mode fibers. Leading-edge technology of Opticis allows long distance transmission of 4K signal without any video/audio degradation.

HDFX-300 is designed compact enough to be fitted into various installation environments. It gives slim, light, easy installation with perfect electrical isolation, but without electrical hazard and interference.

High-Retention HDMI connector, which allows for more retention force than standard HDMI connector, prevents accidental disconnection.

HDFX-300 is compliant with HDMI standards features like CEC, EDID and HDCP 2.2 for better installation flexibility and compatibility.

HDFX-300 can be operated by either 5V power from HDMI source(Tx only) or USB power. Auto Power-Switching feature makes it more reliable on its power supply.

Specification

- Supports HDMI2.0 standards feature
- Extends up to 4K (4096x2160) at 60Hz, (RGB & YCbCr : 4:4:4)
- Transmits HDMI 2.0 data up to 100m (328feet) over one duplex LC multi-mode fiber (OM3)
- Prevents accidental disconnection by using High-Retention HDMI connector
- Operates by DDC 5V from HDMI source or using USB Power cable
- Provides Auto Power-Switching feature
- Provides diagnosis feature
- Supports 3D contents transmission
- Complies with CEC, EDID and HDCP 2.2

Applications

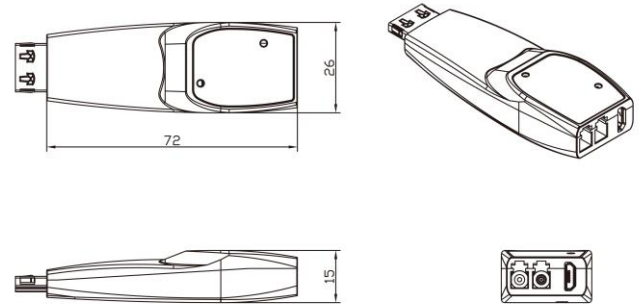
- Medical imaging / Military
- Control room / Digital Signage
- Simulator / Rental staging

HDMI 2.0 optical fiber detachable extender, HDFX-300

Technical Features

Resolution	Up to 4K(4096x2160) at 60Hz,
Bit rate	Up to 6.0 Gbps/ch
Maximum distance	Up to 100m (328feet) over
Fiber	2 LC multi-mode fiber (OM3)
Power supplying	External USB power by micro USB to USB cable or DDC 5V from HDMI source(Tx Only)
LED Indicators	TX: power, signal transmission RX: power, signal detection
Power consumption	< 2.5W
Operating temperature	0°C to 50°C
Operating humidity	10~85% RH, non-condensing
Size (LWH)	26 x 72 x 15 mm

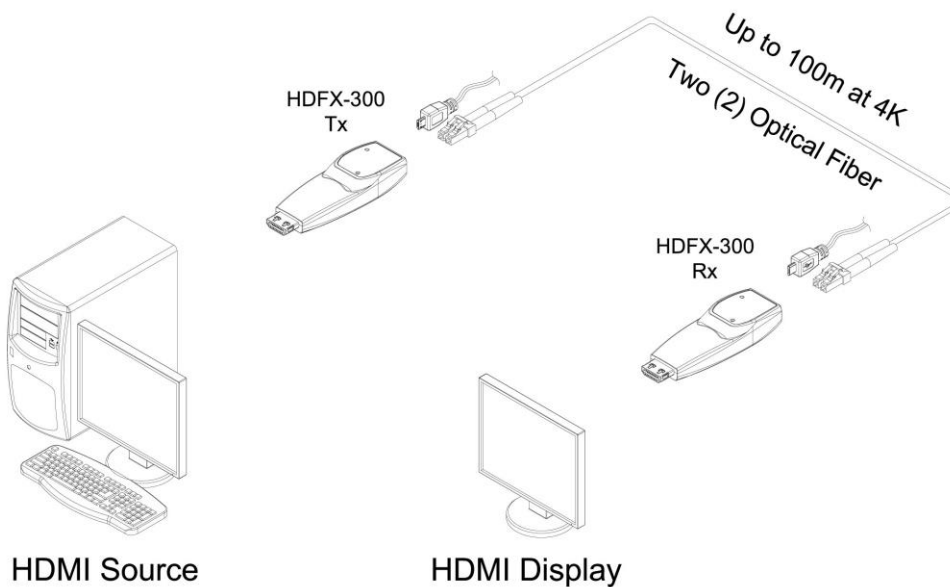
Dimension [mm]



Size(LWH) : 26 x 72 x 15mm

Connection Diagram

4K UHD(4096x2160) @60Hz up to 100m



Opticis Co., Ltd.

16Fl, Kins Tower 8 Sungnam-daero, 331 beon-gil, Bundang-gu
Sungnam-si, Gyunggi-do, 13558 South Korea

Tel: +82 (31) 719-8033

Fax: +82 (31) 719-8032

tosales@opticis.com



All contents are subject to be changed without prior notice.