

DATA SHEET

Two (2) Fibers Detachable HDMI 2.0 Extender, HDFX-350-TR

Contents

- ◆ Description
- ◆ Features
- ◆ Applications
- ◆ Technical Specifications
- ◆ Operating Conditions
- ◆ Drawing of Module
- ◆ Drawing of Cable Connection
- ◆ HDMI Pin Description

OPTICIS HQ

Opticis Co., Ltd.
3F, 305, Sanseong-daero,
Sujeong-gu, Seongnam-si, Gyeonggi-do,
Republic of Korea 13354
Te I: +82 (31) 719-8033
Fax: +82 (31) 719-8032
www.opticis.com
tosales@opticis.com

Description

HDMI 2.0 optical fiber detachable extender, HDFX-350, extends HDMI 2.0 signal up to 200m (656feet) and transmits 4K UHD (4096x2160) at 60Hz over one duplex LC multi-mode fibers. Leading-edge technology of Opticis allows long distance transmission of 4K signal without any video/audio degradation.

HDFX-350 is designed compact enough to be fitted into various installation environments. It gives slim, light, easy installation with perfect electrical isolation, but without electrical hazard and interference.

High-Retention HDMI connector, which allows for more retention force than standard HDMI connector, prevents accidental disconnection.

HDFX-350 is compliant with HDMI standards features like CEC, EDID and HDCP 2.2 for better installation flexibility and compatibility. It also supports HDR to deliver more realistic, and objective video signal.

HDFX-350 can be operated by either 5V power from HDMI source (Tx only) or USB power. Auto Power-Switching feature makes it more reliable on its power supply.

The shipping items are shown as follows;

- 1) One (1) Transmitter (Tx) and One (1) Receiver (Rx)
- 2) Two (2) Micro USB to USB cables
- 3) Two (2) AC adapters to 110-240V with DC 5V 1A outlet
- 4) One (1) User's Manual
- 5) One (1) customized HDMI cable (0.2m) - Optional

※ Other options – contact to Opticis sales office

Features

- Supports HDMI2.0 standards feature
- Extends 4K UHD (4096x2160) at 60Hz (RGB & YCbCr : 4:4:4)
- Transmits HDMI data up to 200m (656feet) over one duplex LC multi-mode fibers (OM3).
- Offers total data rate 18Gbps (6Gbps per Channel)
- Prevents accidental disconnection by using High-Retention HDMI connector
- Operates by DDC 5V from HDMI source or using USB Power cable
- Provides Auto Power-Switching feature
- Provides diagnosis feature
- Supports 3D contents transmission
- Complies with CEC, EDID and HDCP 2.2
- Supports HDR at 10 bit or 12 bit speeds respectively within its maximum bandwidth, 18Gbps

Applications

- Medical imaging
- Military
- Control room
- Pro-AV
- Simulator

Technical Specifications

	Parameter	Specifications
Components	Laser Diodes in Tx Module	Multi-mode VCSEL (Vertical Cavity Surface Emitting Laser)
	Photo Diodes in Rx Module	PIN-PD
Electrical	Input and Output Signals	ANSI 8B/10 Level (complying with HDMI2.0)
	Data Transfer Rate (Graphic Data)	Max. 6Gbps
	Total Jitter at the end of Rx output	Max. 0.6UI
	Skew inter-channels	Max. 2ns
Optical	Link Power Budget	Min 2dB
Mechanical	Module dimension (WDH)	26 x 72 x 15mm
Connect	Optical Connector	Duplex LC connectors
	Electric Connector Type from Systems and to Displays	High-retention HDMI Connector
	Recommended Fiber	OM3(50/125 um) Multi-mode Glass Fiber

Absolute Maximum Ratings

Stresses in excess of the absolute maximum ratings can cause permanent damage to the device. These are absolute stress ratings only. Functional operation of the device is not implied at these or any other conditions in excess of those given in the operational sections of the datasheet. Exposure to absolute maximum ratings for extended periods can adversely affect device reliability.

Parameter	Symbol	Min	Max	Unit
Supply Adapter Voltage	V _{CC}	-0.3	+6.0	V
Operating Temperature	T _{OP}	0	50	° C
Operating Relative Humidity	RH _{OP}	10	85 ¹⁾	%RH
Storage Temperature	T _{stg}	-30	70	° C
Storage Relative Humidity	RH _{stg}	10	95 ²⁾	%RH

Note

1), 2) Under the conditions of no drops of dew

Operating Conditions

Transmitter module: HDFX-350-TX

	Parameter	Symbol	Minimum	Typical	Maximum	Units
Power Supply	Supply Voltage	V _{CC}	4.5	5.0	5.5	V
	Supply Current	I _{TCC}	350	400	450	mA
	Power Dissipation	P _{TX}	1.58	2.0	2.48	W
	Power Supply Rejection (Note1)	PSR		50		mV _{p-p}
DATA ANSI 8b/10b	Data Output Load	R _{LD}		50		Ω
	Transmitter Differential Input Voltage Swing (Peak-to-Peak)	V _{ID}	0.4	-	1.6	V
Optical Link (Notes3)	Output Optical Power	P _o			3	dBm
	Wavelength	λ	825		990	nm
	Spectral width in RMS	Δλ			3	nm
	Relative Intensity of Noise (Note2)	RIN		-20		dB/Hz
	Extinction Ratio	Ext	4			dB
	Rising/Falling Time	T _{rise} /T _{fall}			77	ps
	Jitter in p-p value (Note3)	T _{jitter}			50	ps

Note1. Tested with a 50mV_{p-p} sinusoidal signal in the frequency range from 500 Hz to 500 MHz on the V_{CC} supply with the recommended power supply filter in place. Typically less than a 0.25 dB change in sensitivity is experienced.

Note2. Measure in 1GHz of frequency bandwidth

Note3. Use PPG (Pulse Pattern Generator) source with jitter 50ps

Receiver module: HDFX-350-RX

	Parameter	Symbol	Minimum	Typical	Maximum	Units
Power Supply	Supply Voltage	V _{CC}	4.5	5.0	5.5	V
	Supply Current	I _{RCC}	350	400	450	mA
	Power Dissipation	P _{RX}	1.58	2.0	2.48	W
	Power Supply Rejection (Note4)	PSR		50		mV _{p-p}
DATA ANSI 8b/10b	Data Input Load	R _{LD}		50		Ω
	Receiver Data Output Voltage Swing (Peak-to-Peak)	VOHDMI-p	600	800	1200	mV _{p-p}
Optical Link	Receiving Optical Power	P _o			1	dBm
	Receiving Wavelength	λ	825		990	nm
	OMA Sensitivity	SENS	-14.25			dBm
	Link Power Budget	P _{bgt}	2			dB
	Total Jitter (note 5)	TR _{jitter}			0.6	UI

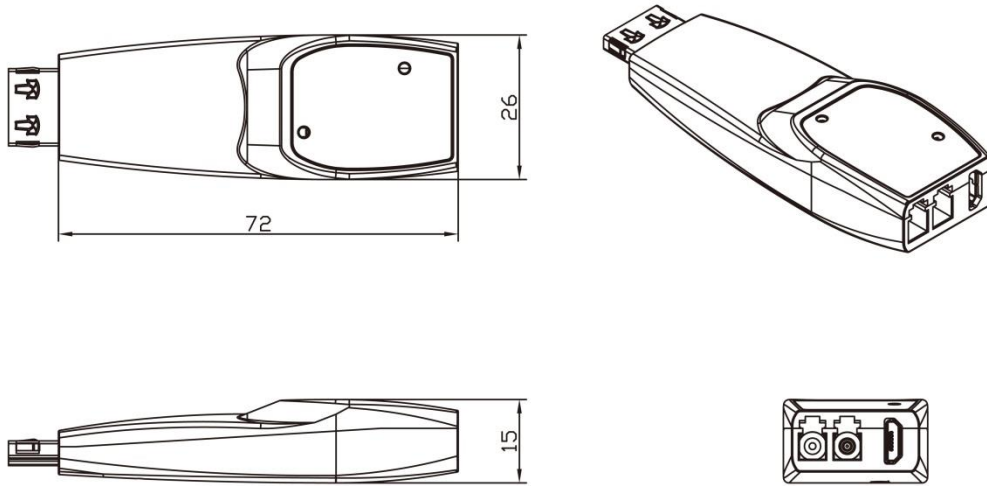
Note4. Tested with a 50mV_{p-p} sinusoidal signal in the frequency range from 500 Hz to 500 MHz on the V_{CC} supply with the recommended power supply filter in place. Typically less than a 0.25 dB change in sensitivity is experienced.

Note5. It is measured as total jitters including Tx and Rx modules under maximum extension, 100 meters with 6Gbps.

Recommended specifications of fiber-optic cable

Parameters	Conditions	Specifications
Fiber Type		50μm Multi-mode Graded Index Glass Fiber
Modal Bandwidth	λ = 850nm	Min. 500 MHz km
Fiber Cable Attenuation	λ = 850nm	Max. 2.5dB/km
Extension Distance		10 – 656ft (200 meters)
No. of Ferrules	Duplex LC	2 ferrule
Skew		Max. 0.4ns
Insertion Attenuation		Max. 0.5dB
Total Optical Attenuation	In 330 ft (100 meter) extension	Max. 1.5dB

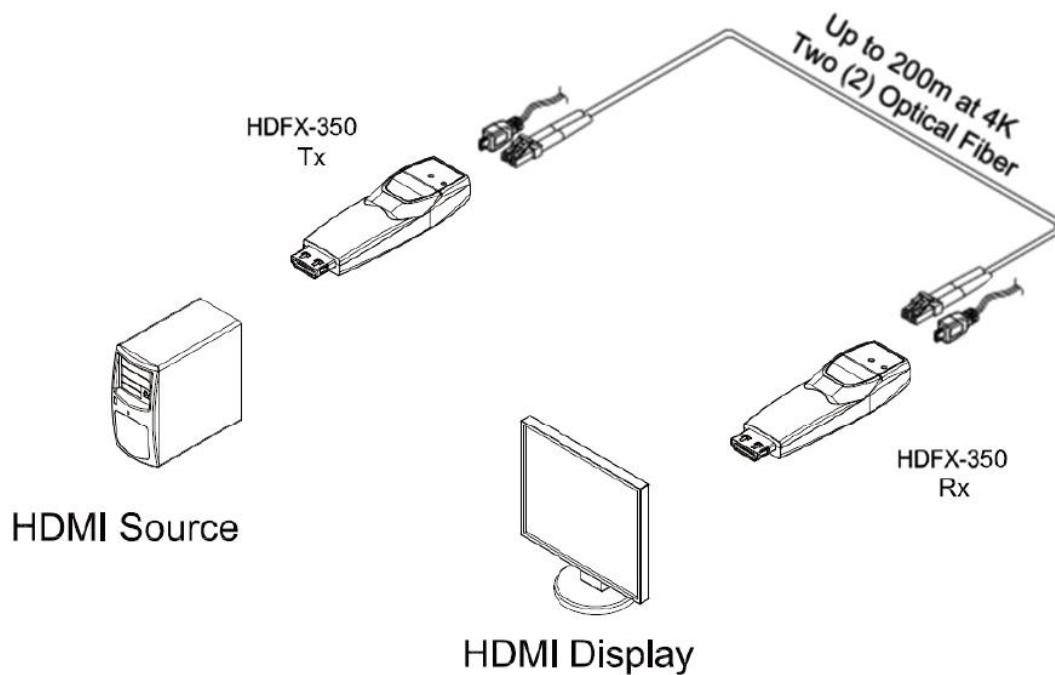
Drawing of Module



Size(LWH) : 26 x 72 x 15mm

Note: The transmitter, HDFX-350-T and the receiver, HDFX-350-R have the same mechanical dimensions

Drawing of Cable Connection



HDMI Pin Description

TX Module

No	Pin Assignment	Functional Description
1	TMDS2+	TMDS Data Signal Channel 2 Positive
2	TMDS2 Shield	TMDS Data Signal Channel 2 Shield
3	TMDS2-	TMDS Data Signal Channel 2 Negative
4	TMDS1+	TMDS Data Signal Channel 1 Positive
5	TMDS1 Shield	TMDS Data Signal Channel 1 Shield
6	TMDS1-	TMDS Data Signal Channel 1 Negative
7	TMDS0+	TMDS Data Signal Channel 0 Positive
8	TMDS0 Shield	TMDS Data Signal Channel 0 Shield
9	TMDS0-	TMDS Data Signal Channel 0 Negative
10	TMDS Clock+	TMDS Clock Channel Positive
11	TMDS Clock Shield	TMDS Clock Channel Shield
12	TMDS1Clock-	TMDS Clock Channel Negative
13	CEC	Consumer Electronics Control
14	Reserved	Not used
15	SCL	HDCP/DDC communication clock
16	SDA	HDCP/DDC communication data
17	DDC/CEC Ground	DDC/CEC shield
18	+5V Power	5 V Input for Transmitter for Host
		5 V Output for Monitor from Receiver
19	Hot Plug Detect	Signal is driven by monitor to enable the system to identify the presence of a monitor

RX Module

No	Pin Assignment	Functional Description
1	TMDS2+	TMDS Data Signal Channel 2 Positive
2	TMDS2 Shield	TMDS Data Signal Channel 2 Shield
3	TMDS2-	TMDS Data Signal Channel 2 Negative
4	TMDS1+	TMDS Data Signal Channel 1 Positive
5	TMDS1 Shield	TMDS Data Signal Channel 1 Shield
6	TMDS1-	TMDS Data Signal Channel 1 Negative
7	TMDS0+	TMDS Data Signal Channel 0 Positive
8	TMDS0 Shield	TMDS Data Signal Channel 0 Shield
9	TMDS0-	TMDS Data Signal Channel 0 Negative
10	TMDS Clock+	TMDS Clock Channel Positive
11	TMDS Clock Shield	TMDS Clock Channel Shield
12	TMDS1Clock-	TMDS Clock Channel Negative
13	CEC	Consumer Electronics Control
14	Reserved	Not used
15	SCL	HDPC/DDC communication clock
16	SDA	HDPC/DDC communication data
17	DDC/CEC Ground	DDC/CEC shield
18	+5V Power	5 V Input for Transmitter for Host
		5 V Output for Monitor from Receiver
19	Hot Plug Detect	Signal is driven by monitor to enable the system to identify the presence of a monitor

Revision History

Version	date	History
1.0	2020-07	Official Version Released