

# 1 Gang-sized Multi-format video to Optical DVI Converter, MVDF

## *DATA SHEET*

### Contents

◆ Description

- 1) Key Features
- 2) Applications
- 3) Technical Specifications
- 4) Absolute Maximum Ratings
- 5) Operating Conditions
- 6) Recommended Specifications of Fiber-Optic Cable
- 7) Functions
- 8) Drawing
- 9) Connection Diagram

**OPTICIS HQ**

Opticis Co., Ltd.  
# 16Fl, Kins Tower  
8 Sungnam-daero, 331 beon-gil,  
Bundang-gu,  
Seongnam-si, Gyunggi-do, 13558  
South Korea  
Te l: +82 (31) 719-8033  
Fax: +82 (31) 719-8032  
tosales@opticis.com

# 1 Gang-sized Multi-format video to Optical DVI Converter, MVDF

## Description

Opticis provides 1 gang-sized multi-format video to optical DVI wall-plate converter, MVDF, to manipulate from old fashioned to leading-edge video formats in a various video system applications. The MVDF handles DVI, VGA, S-video and Composite video as an input and converts these signals to 1-fiber DVI. All signals can be transmitted up to 500m (1,640ft) using 62.5 $\mu$ m multi-mode fiber at WUXGA (1920x1200) or SXGA (1280x1024) at 60Hz. It also automatically detects the first incoming signal among various signals or decides a priority input by pre-programming as DVI, VGA, Composite and S-Video in an order when all signals are connected and turned on.

The MVDF wall-plate converter supports all VESA resolutions up to WUXGA (1920x1200) at 60Hz, up to SXGA (1280x1024) at 60Hz for NTSC/PAL (480i, 576i). The others are remained as same resolution.

The MVDF can be installed in various 1 gang-sized places such as, wall or medical boom system with two (2) mounting screws. The EDID in a display can be read and restored by just pressing EDID button in a front panel of MVDF. This EDID programming feature makes the installation more easy and flexile at any variable resolution of display systems. The LED indicators are equipped for Power-on and Status (signal transmission for all signals and EDID learning for DVI and VGA) on a front panel.

Opticis MVDF is used for long haul video applications and special places where the optimal signal quality and electrical isolation are required. Opticis 1-fiber DVI receiver, DVFX-100-R, is used as a pair to execute optical to electrical DVI conversion.

## 1) Key Features

- Supports all VESA resolution up to WUXGA (1920x1200) at 60Hz for DVI and VGA, SXGA (1280x1024) at 60Hz for Composite video and S-Video
- Automatically detects the first incoming signal among various video sources and converts it into one (1) optical DVI output with SC termination
- Be scale-up 480i and 576i to SXGA (1280x1024) at 60Hz for S-Video/Composite video inputs
- Except the case above, it maintains input and output resolutions.
- Transmits optical signal up to 500m (1,640feet) over SC terminated 1 core multi-mode fiber (62.5 $\mu$ m)
- Provides Self-EDID for DVI and VGA
- Operated by DC 8~15V
- Equips two (2) LEDs for power and video input status

## 2) Applications

- Medical equipment
- Control room
- Conference room / Education
- Various application requiring long haul video applications and special place where the optimal signal quality and electrical isolation are needed

## 3) Technical Specifications

### i) General Specifications

	Parameter	Specifications
Electrical	Input Signal Type	<b>DVI:</b> TMDS <b>VGA:</b> RGBHV, RGsB, RGBS <b>Composite &amp; S-Video:</b> NTSC/PAL
	Input Connectors	<b>DVI:</b> 24pin DVI-I <b>VGA:</b> HD15, D-sub <b>S-video:</b> Mini-DIN <b>Composite:</b> BNC
	Supporting Resolution	<b>DVI &amp; VGA:</b> VGA to WUXGA (1920 x 1200), 60Hz <b>S-video &amp; Composite:</b> Up-scale 480i and 576i to SXGA (1280x1024), 60Hz
	Power Consumption	< 0.5W
	Max. Bit rate	Max. 1.65Gbps
Optical	Output Optical Connector	SC
	Laser Diodes in Output	Multi-mode VCSEL (Vertical Cavity Surface Emitting Laser)
	Output Optical Power	< 1 dBm
Mechanical	Dimension (WDH)	70 x 78 x 115mm
Fiber	Optical Connector	Simplex SC connectors
	Recommended Fiber	62.5 um Multi-mode Glass Fiber

## 4) Absolute Maximum Ratings

Parameter	Symbol	Minimum	Maximum	Units
Supply Voltage	V <sub>CC</sub>	+7.0	+ 16.0	V
Operating Temperature	T <sub>op</sub>	0	50	°C
Storage Temperature	T <sub>s</sub>	- 30	+ 70	°C
Storage Relative Humidity	H <sub>s</sub>	10	95	%RH

## 5) Operating Conditions

### i) DVI Input

	Parameter	Symbol	Minimum	Typical	Maximum	Units
Power Supply	Supply Voltage	V <sub>CC</sub>	8.0	12.0	15.0	V
	Supply Current	I <sub>TCC</sub>	230	280	330	mA
	Power Dissipation	P <sub>TX</sub>	-	3.36	4.95	W
	Power Supply Rejection (Note1)	PSR		50		mV <sub>p-p</sub>
TMDS	Data Input Load	R <sub>LD</sub>		50		Ω
	Graphic Supply Voltage (Note2)	GV <sub>CC</sub>	+ 3.1	+ 3.3	+ 3.5	V
	Single-Ended High Level Input Voltage	GV <sub>IH</sub>	GV <sub>CC</sub> - 0.01	GV <sub>CC</sub>	GV <sub>CC</sub> + 0.01	V
	Single-Ended Low Level Input Voltage	GV <sub>IL</sub>	GV <sub>CC</sub> - 0.6	-	GV <sub>CC</sub> - 0.4	V
	Single-Ended Input Swing Voltage	GV <sub>ISWING</sub>	0.4	-	0.6	V
	Resolution range	-	640x480	-	1920x1200	-

Note1. Tested with a 50mVp-p sinusoidal signal in the frequency range from 500 Hz to 500 MHz on the VCC supply with the recommended power supply filter in place. Typically less than a 0.25 dB change in sensitivity is experienced.

Note2. Graphic Supply Voltage is regulated reference voltage for signal processing in modules.

### ii) VGA Input

	Parameter	Symbol	Minimum	Typical	Maximum	Units
Power Supply	Supply Voltage	V <sub>CC</sub>	8.0	12.0	15.0	V
	Supply Current	I <sub>TCC</sub>	240	290	330	mA
	Power Dissipation	P <sub>TX</sub>	-	3.48	4.95	W
	Power Supply Rejection	PSR		50		mV <sub>p-p</sub>
Video Input	Data Output Load	R <sub>LD</sub>		75		Ω
	Input Signal Level	RGB		0.7		V <sub>p-p</sub>
	Horizontal Frequency	HF	30	-	91	KHz
	Vertical Frequency	VH	50	-	85	KHz
	Resolution range (Note3)	-	640x480	-	1920x1200	-

Note3. Only the reduced blanking version of the 1920x1200 resolution is sampled at full bit rate.

### iii) S-Video/Composite Input

	Parameter	Symbol	Minimum	Typical	Maximum	Units
Power Supply	Supply Voltage	V <sub>CC</sub>	8.0	12.0	15.0	V
	Supply Current	I <sub>TCC</sub>	210	260	310	mA
	Power Dissipation	P <sub>TX</sub>	-	3.12	4.65	W
	Power Supply Rejection	PSR		50		mV <sub>p-p</sub>
-	Data Input Load	R <sub>LD</sub>		75		Ω

	Resolution range (Note4)	-	NTSC, PAL	-
--	--------------------------	---	-----------	---

Note4. Output Resolution: 1280x1024@60Hz

### **v) Optical DVI Output**

	Parameter	Symbol	Minimum	Typical	Maximum	Units
Optical Output	Output Optical Power	$P_o$			1	dBm
	Wavelength	$\lambda$	850		990	nm
	Spectral width in RMS	$\Delta\lambda$			3	nm
	Relative Intensity of Noise	RIN		-20		dB/Hz
	Extinction Ratio	Ext	4			dB
	Rising/Falling Time	$T_{rise}/T_{fall}$			260	ps
	Jitter in p-p value	$T_{jitter}$			260	ps

### **6) Recommended Specifications of Fiber-Optic Cable**

Parameters	Conditions	Specifications
Fiber Type		62.5 $\mu$ m Multi-mode Graded Index Glass Fiber
Modal Bandwidth	$\lambda = 850\text{nm}$	Min. 500 MHz km
Fiber Cable Attenuation	$\lambda = 850\text{nm}$	Max. 2.5dB/km
Extension Distance		10 – 1,640ft (500 meters)
No. of Ferrules	SC	1 ferrule
Skew		Max. 0.4ns
Insertion Attenuation		Max. 0.5dB
Total Optical Attenuation	In 330 ft (100 meter) extension	Max. 1.5dB

### **7) Functions**

#### **i) Self-EDID Function (DVI and VGA)**

The EDID in a display can be read and restored by just pressing EDID button on front panel. This Self-EDID programming feature makes the installation of MVDF more easy and flexible at any variable resolution display systems.

#### **ii) Auto Signal Detection**

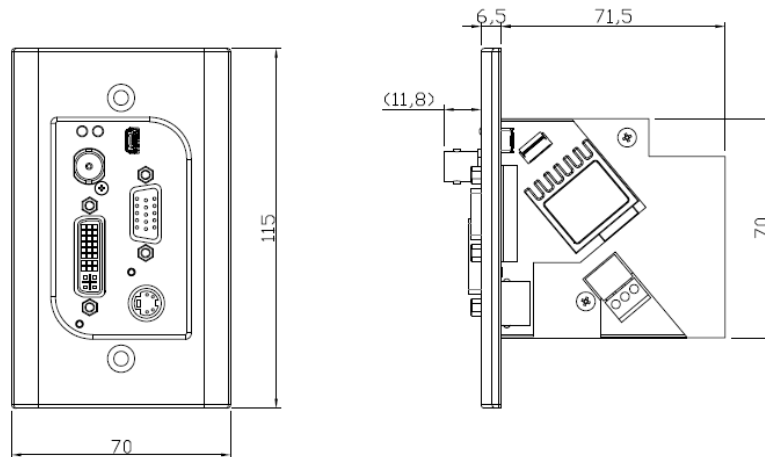
It automatically detects the first incoming signal among various signals or decides a priority by pre-programming in an order of DVI, VGA, S-Video and Composite when all signals are connected at the same time.

### iii) Upscale NTSC/PAL to SXGA

It also executes an upscale NTSC/PAL (480i, 576i) to SXGA (1280x1024) for S-Video/Composite video input. The others are remained as same resolution.

### 8) Drawing Dimension [mm]

Size (WDH): 70 x 78 x 115mm



### 9) Connection Diagram

The diagram shows the connection of MVDF and 1-fiber DVI extender (Receiver; DVFX-100-RX) by one (1) SC multi-mode fiber.

